

电磁阀 /Solenoid Valve

2

特点 /Characteristic:

- SR 系列流量值大，比传统的 4V 系列大 40%。
- 功率消耗在 2.0W 以下。
- 密封件不需供油，排出的气体不会污染环境，可用于食品、医药、电子等行业。
- 阀的宽度小，便于组成轻小的集装式控制系统。
- 先导头和线圈为一体型，紧凑，更具备连贯性。
- 阀杆两头设有导向套，动作平稳，而且不会形成密封圈侧面受压。
- 活塞采用铝型材加工，轻巧，抗压强度高，前后两头双活塞推动，复位无须弹簧辅助，避免了弹簧变形、断裂造成的复位不灵现象。
- SR type flow rate is 40% bigger than 4V type.
- Power consumption is less than 2.0W.
- No need to supply oil for sealing elements, so the exhaust air won't pollute environment, it can be used on can be used in food, medicine, electronic industries.
- The width is only short, it's easy to make up small unitized installing type of control system.
- Guide head integrated with coil, compact design, good continuity.
- Both side have guide sleeve, run smoothly and avoid side pressure for seal.
- Piston rod processed by section aluminum, light and good of compression strength, both side pushed by piston, reset not have to spring, avoid any deformation for spring.



气动控制阀

型号注释 /Note for type:

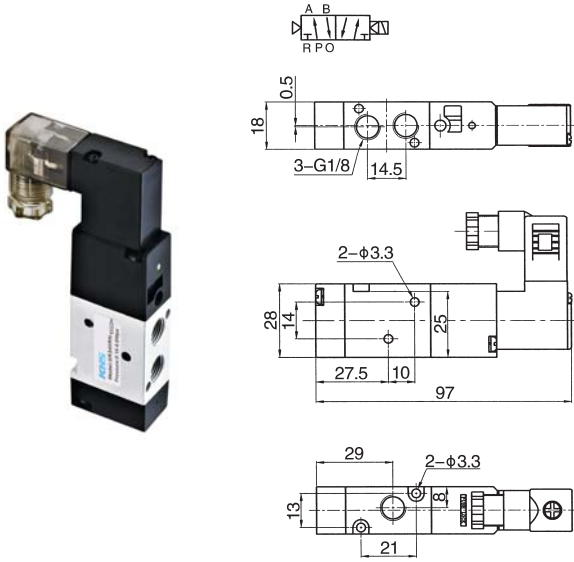
SR3	40	CN	T	AC220V	B
系列代码: Series code:	接管口径: Port size:	控制方式及位数: Control type & position No.	连接方式: Control type:	线圈电压: Coil voltage:	接线形式: Wiring type:
SR3 系列电磁阀 SR3 Series Solenoid valve	40:G1/8" 51:G1/4" 61:G3/8"	(Blank)空白: 单电控双位置 Single coil 2 position DN: 双电控双位置 Double coil 2 position	Blank(空白):管接式 Pipe connected T:板接式 Board connected	DC24V AC110V 50/60Hz AC220V 50/60Hz	Blank(空白): 茶色带灯端子式 /Browns B:白色带灯端子式 /White

技术参数 /Specification:

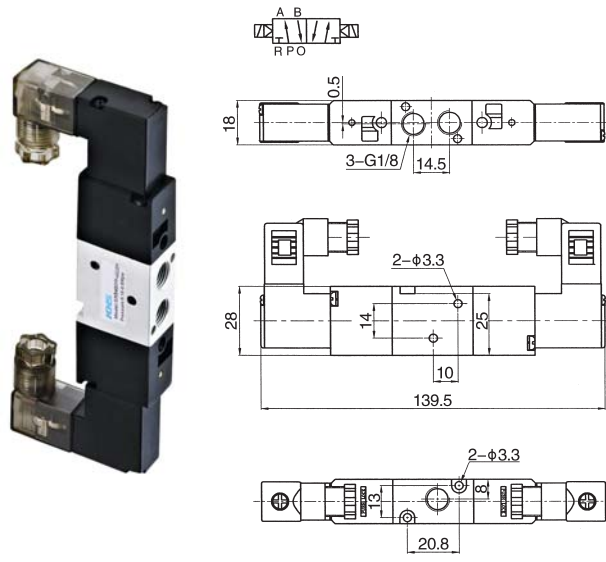
型号/Type	SR340	SR351	SR361
位置数/position number	二位三口/2 Position 3 Way		
有效截面积/Effective sectional area	10	20	35
接管口径/Port size	G1/8	G1/4	G3/8
工作介质 /Fluid	经 40 μ m 过滤的压缩空气 /Compressed Air		
动作方式 /Acting type	内部先导式 /Internally pilot-actuated		
使用压力范围 /Working pressure (MPa)	0.15~0.8		
使用温度范围 /Ambient temperature(°C)	-5~50		
使用电压范围 /Voltage range	± 10%		

外形尺寸 / Dimension(mm):

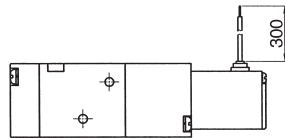
SR340 管接式 / Pipe connected type



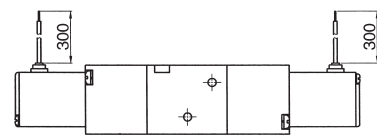
SR340-DN 管接式 / Pipe connected type



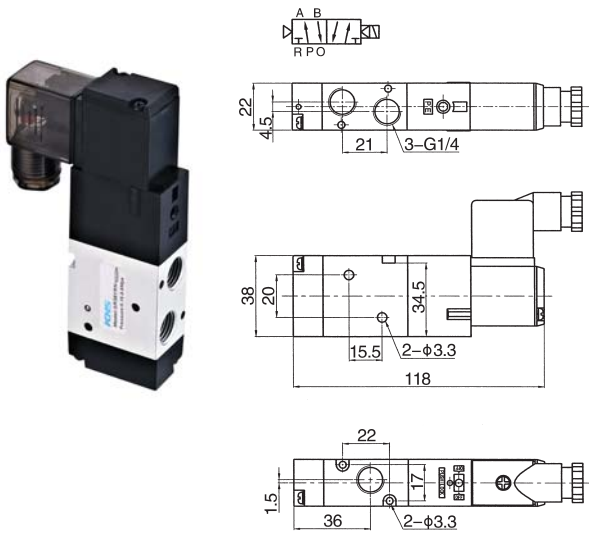
R 型引出线 / Lead wire type



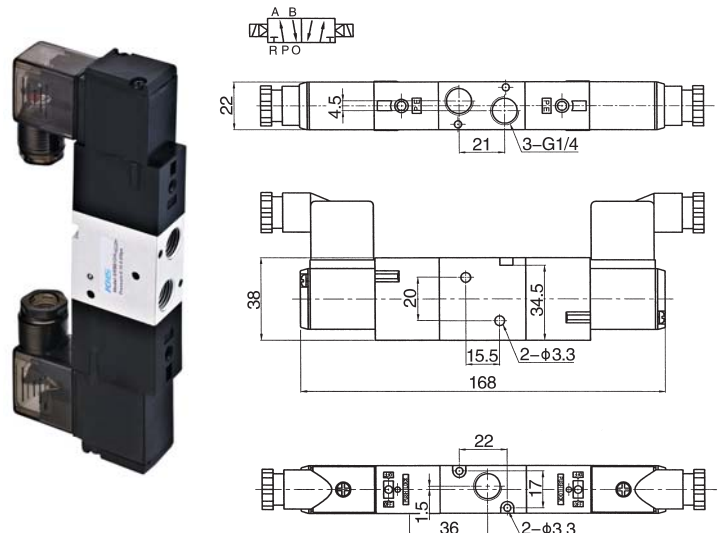
R 型引出线 / Lead wire type



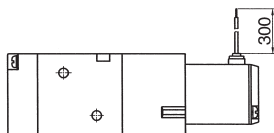
SR351 管接式 / Pipe connected type



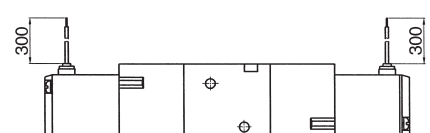
SR351-DN 管接式 / Pipe connected type



R 型引出线 / Lead wire type



R 型引出线 / Lead wire type



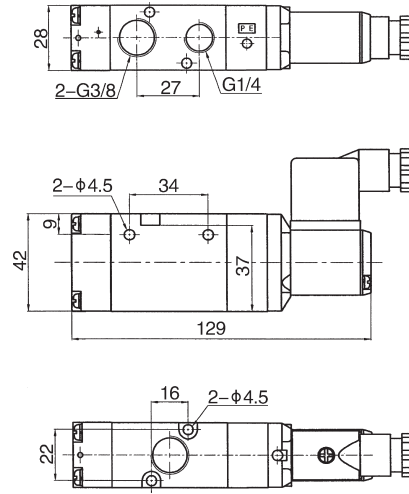
外形尺寸 / Dimension(mm):

2

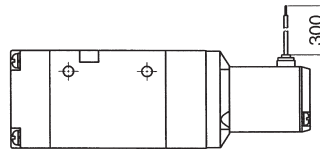
气
动
控
制
阀



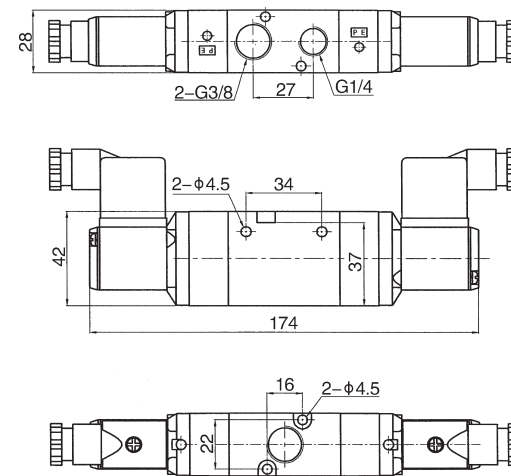
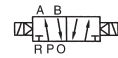
SR361 管接式 / Pipe connected type



R 型引出线 / Lead wire type



SR361-DN 管接式 / Pipe connected type



R 型引出线 / Lead wire type

