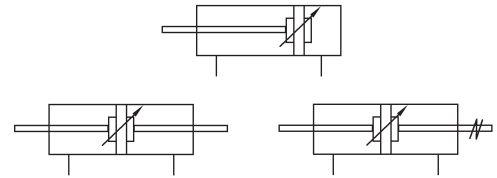


VDMA/ISO6431 气缸 /Cylinder

特 点 /characteristic:

- 前后端盖铝合金压铸成形，经 CNC 机械加工，精密度高，品质符合国际水准。
- 采用铝合金管，耐磨耐腐蚀，永不生锈。
- 采用进口免给油及油封、长时间作业，也不需要润滑保养。
- 独特的缓冲设计，使机器的动作更确实平稳。
- 可附加感应装置，控制容易。
- Front and rear caps are finished by aluminum alloy die-casting, CNC mechanically processed with high precision.
- Aluminum tube is imported, stainless forever with friction & corrosion resistance .
- Adopt imported none lubrication, long time service and no need lubrication maintenance.
- Unique cushion technique makes smooth action.
- May add the sensor equipment to easily control.



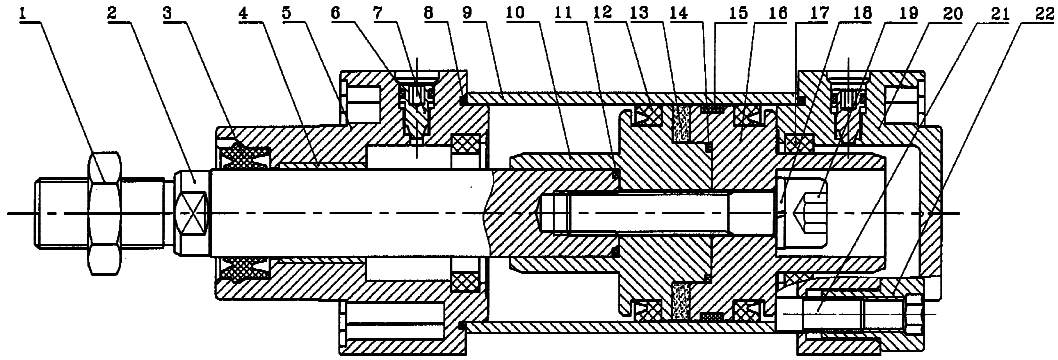
型号注释 /Note for type:

| | | | | | |
|--|----------------------|---|----------------|-------------------------|---|
| SI | 50 | × | 100 | FA | S |
| ↓ | ↓ | | ↓ | ↓ | ↓ |
| 系列代码: Series code: | 缸径/Bore: | | 行程: Stroke: | 固定型式: Mounting type: | 磁石代号: With magnet: |
| SI 标准气缸 SI Standard Cylinder | φ 32 φ 40 φ 50 | | | FA CB | S:附磁石 /with magnet S1:附磁石 +1 个感应器 with magnet + 1pc magnet switch |
| SID 双轴气缸 SID Double axial Cylinder | φ 63 φ 80 | | | FB LB | S2:附磁石 +2 个感应器 with magnet + 2pc magnet switch |
| SIJ 可调行程 SIJ Double adjustable Cylinder | φ 100 | | | CA TC | S3:耐热密封环最高温度 150℃ heat resisting seal ring, max temp.150℃ |
| | | | | | S4:耐酸活塞杆 acid resisting piston rod |

技术参数 /Specification:

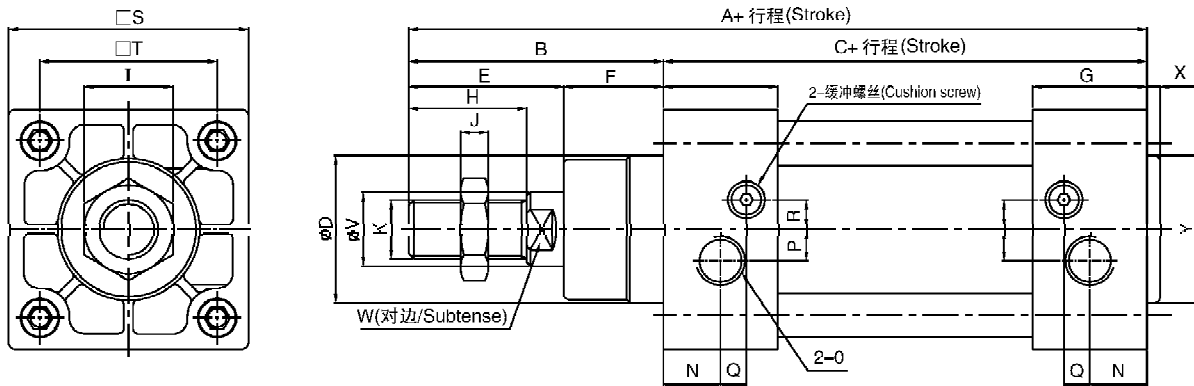
| | | | | | | |
|--------------------------------------|--|------|----|----|------|-----|
| 气缸内径 /Cylinder bore | 32 | 40 | 50 | 63 | 80 | 100 |
| 作动形式 /Motion | 复动型/Double acting | | | | | |
| 系 列/Series | SI, SID, SIJ | | | | | |
| 工作介质 /Fluid | 压缩空气/Compressed Air | | | | | |
| 使用压力范围/Operating pressure range(Mpa) | 0.1~1 | | | | | |
| 使用速度/Operating speed(mm/sec) | 50~500 | | | | | |
| 使用温度范围/ambient temperature(°C) | -10~70 | | | | | |
| 缓 冲/cushion | 两端可调缓冲/Adjustable cushion at both ends | | | | | |
| 接管口径 /Port size(G) | 1/8" | 1/4" | | | 3/8" | |

内部结构图 /Inner structure drawing:



| | | | | | | | |
|---|----------------------|----|--------------------------------|----|----------------------|----|---------------------------|
| 1 | 六角螺母 /hexagon nut | 7 | 缓冲调节螺钉 /cushion adjusting bolt | 13 | 磁环 /magnet | 19 | 内六角螺钉 /inner hexagon bolt |
| 2 | 活塞环 /piston ring | 8 | O型圈 /O-ring | 14 | O型圈 / O-ring | 20 | 后盖 /rear cover |
| 3 | 组合密封圈 /compages seal | 9 | 缸筒 /tube | 15 | 耐磨环 /guard seals | 21 | 拉杆 /pull-rod |
| 4 | 含油轴承 /oiled bearing | 10 | 活塞 1/piston 1 | 16 | 活塞 2/piston 2 | 22 | 拉杆螺母 /pull-rod nut |
| 5 | 前盖 /front cover | 11 | O型圈 / O ring | 17 | 组合密封圈 /compages seal | | |
| 6 | O型圈 /O-ring | 12 | Y型密封圈 / Y seal | 18 | 弹簧垫圈 /spring washer | | |

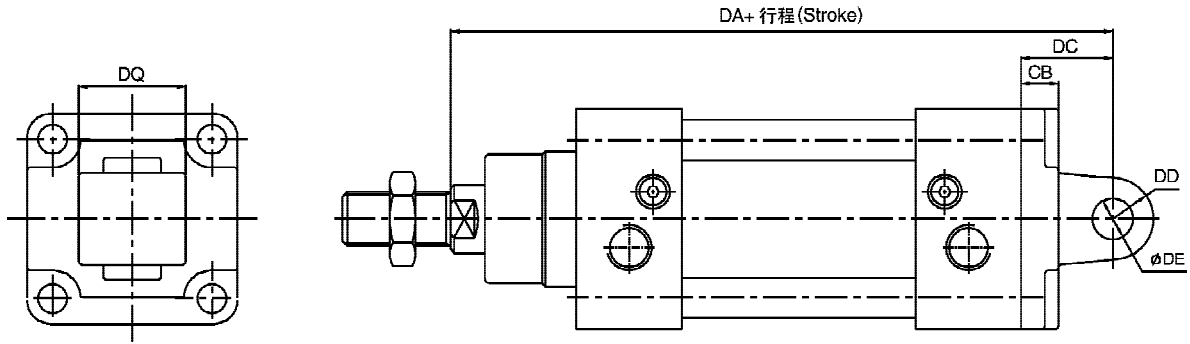
SI 系列 /SI Series



| 符号 /Symbol 内径 /Bore | A | B | C | D | E | F | G | H | I | J | K | L | M | N | O | P | Q | R | S | T | V | W | X | Y |
|------------------------|-----|----|-----|----|----|----|------|----|----|----|----------|-----|------|------|------|-----|-----|------|-----|------|----|----|-----|----|
| 32 | 142 | 48 | 94 | 30 | 29 | 19 | 27.5 | 22 | 17 | 6 | M10x1.25 | M6 | 13 | 13 | G1/8 | 5.5 | 6 | 6 | 47 | 32.5 | 12 | 10 | 3 | 30 |
| 40 | 159 | 54 | 105 | 35 | 33 | 21 | 32 | 24 | 17 | 7 | M12x1.25 | M6 | 17 | 17 | G1/4 | 6 | 7.5 | 8.5 | 53 | 38 | 16 | 13 | 3.5 | 35 |
| 50 | 175 | 69 | 106 | 40 | 42 | 27 | 31 | 32 | 23 | 8 | M16x1.5 | M8 | 15.5 | 15.5 | G1/4 | 7.5 | 6.5 | 9.5 | 65 | 46.5 | 20 | 17 | 3.5 | 40 |
| 63 | 190 | 69 | 121 | 45 | 42 | 27 | 33 | 32 | 23 | 8 | M16x1.5 | M8 | 16.5 | 16.5 | G3/8 | 7.5 | 7.5 | 11.5 | 75 | 56.5 | 20 | 17 | 4 | 45 |
| 80 | 214 | 86 | 128 | 45 | 53 | 33 | 33 | 40 | 26 | 10 | M20x1.5 | M10 | 16.5 | 16.5 | G3/8 | 9 | 7.5 | 13.5 | 95 | 72 | 25 | 22 | 4 | 45 |
| 100 | 229 | 91 | 138 | 55 | 55 | 36 | 37 | 40 | 26 | 10 | M20x1.5 | M10 | 18.5 | 18.5 | G1/2 | 9.5 | 8.5 | 13.5 | 115 | 89 | 25 | 22 | 4 | 55 |

CA- 单耳环固定型

CA-Single-ear mounting type

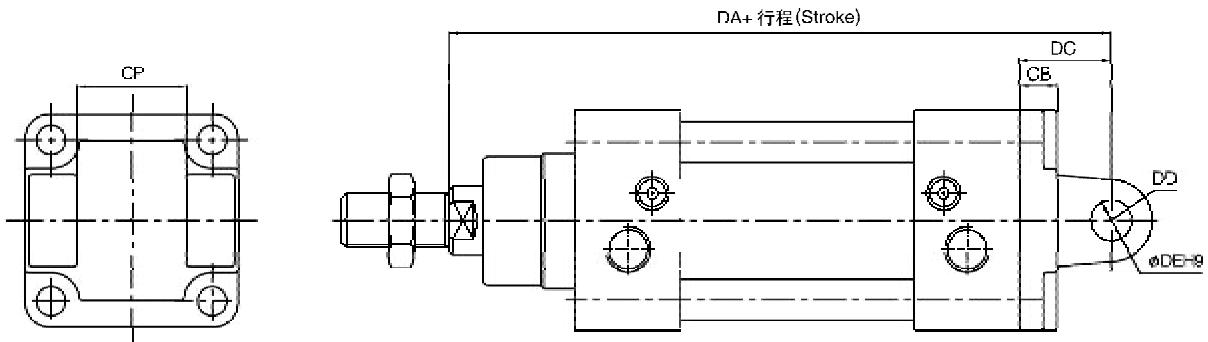


| 符号 / Symbol 内径 / Bore | DA | DC | CB | DD | φ DE | DQ |
|--------------------------|-----|----|----|----|------|----|
| 32 | 142 | 22 | 9 | 10 | 10 | 26 |
| 40 | 160 | 25 | 9 | 12 | 12 | 28 |
| 50 | 170 | 27 | 11 | 12 | 12 | 32 |
| 63 | 190 | 32 | 11 | 16 | 16 | 40 |
| 80 | 200 | 36 | 14 | 16 | 16 | 50 |
| 100 | 230 | 41 | 14 | 20 | 20 | 60 |

气动执行元件

CB- 双耳环固定型

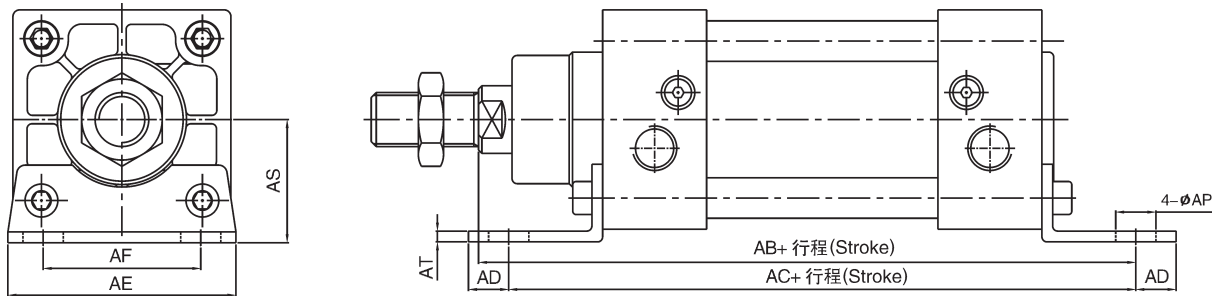
CB-Double-ear mounting type



| 符号 / Symbol 内径 / Bore | DA | DC | CB | DD | φ DE | CP |
|--------------------------|-----|----|----|----|------|----|
| 32 | 142 | 22 | 9 | 10 | 10 | 26 |
| 40 | 160 | 25 | 9 | 12 | 12 | 28 |
| 50 | 170 | 27 | 11 | 12 | 12 | 32 |
| 63 | 190 | 32 | 11 | 16 | 16 | 40 |
| 80 | 200 | 36 | 14 | 16 | 16 | 50 |
| 100 | 230 | 41 | 14 | 20 | 20 | 60 |

LB- 脚架固定型

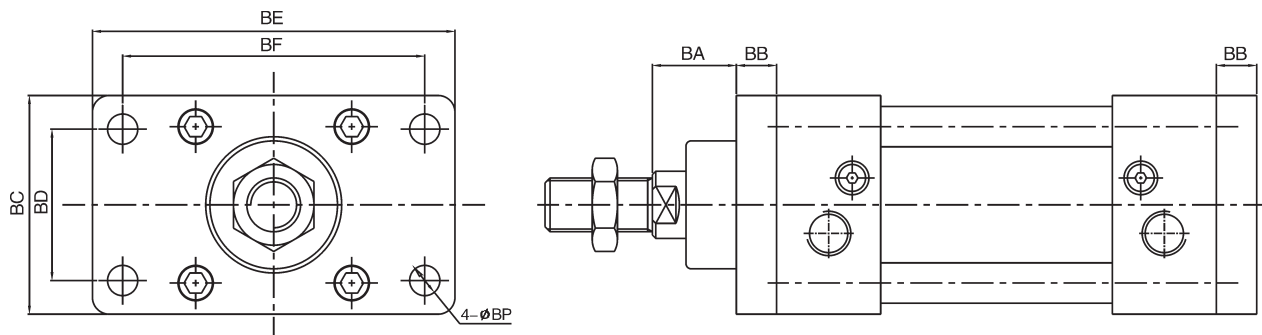
LB-Foot bracket mounting type



| 符号/Symbol 内径/Bore | AB | AC | AD | AE | AF | AP | AS | AT |
|----------------------|-----|-----|----|-----|----|------|----|----|
| 32 | 160 | 142 | 8 | 47 | 32 | 7 | 32 | 3 |
| 40 | 182 | 161 | 9 | 53 | 36 | 9 | 36 | 3 |
| 50 | 197 | 170 | 10 | 65 | 45 | 9 | 45 | 3 |
| 63 | 210 | 185 | 12 | 75 | 50 | 9 | 50 | 3 |
| 80 | 227 | 210 | 19 | 95 | 63 | 12.5 | 63 | 4 |
| 100 | 260 | 228 | 19 | 115 | 75 | 14.5 | 71 | 4 |

FA、FB- 前后法兰固定型

FA、FB-Front & rear flange mounting type



| 符号/Symbol 内径/Bore | BA | BB | BC | BD | BE | BF | BP |
|----------------------|----|----|-----|----|-----|-----|------|
| 32 | 16 | 10 | 47 | 32 | 80 | 64 | 7 |
| 40 | 20 | 10 | 53 | 36 | 90 | 72 | 9 |
| 50 | 25 | 12 | 65 | 45 | 108 | 90 | 9 |
| 63 | 25 | 12 | 75 | 50 | 118 | 100 | 9 |
| 80 | 30 | 16 | 95 | 63 | 150 | 126 | 12.5 |
| 100 | 40 | 16 | 115 | 75 | 176 | 150 | 14.5 |