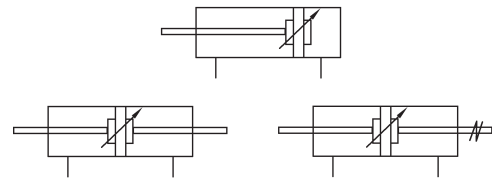


## 圆筒型气缸 /Aluminum Mini Cylinder

## 特点 /characteristic:

- 采用进口铝合金管，外型轻巧、精密、耐磨。
- 采用进口免润滑油封，适合高速动作。
- 端盖采用铝合金制造，经CNC机械加工，表面阳极处理，耐蚀性佳。
- 采用免润滑轴承，长时间动作，也不需要保养，寿命比一般更长。
- 活塞内附磁石，全系列皆可附加感应开关。
- Adopt imported aluminum alloy tube,light,precise,friction & corrosion durable.
- Use imported non-lubrication oil seal, fits for high speed movement.
- Has aluminum alloy covers,CNC machined,surface anodized ,better anti-corrosion.
- Has non-lubrication bearing,no maintenance for long time working with long life than usual one.
- Magnet in piston,whole series can be attached with sensor switch



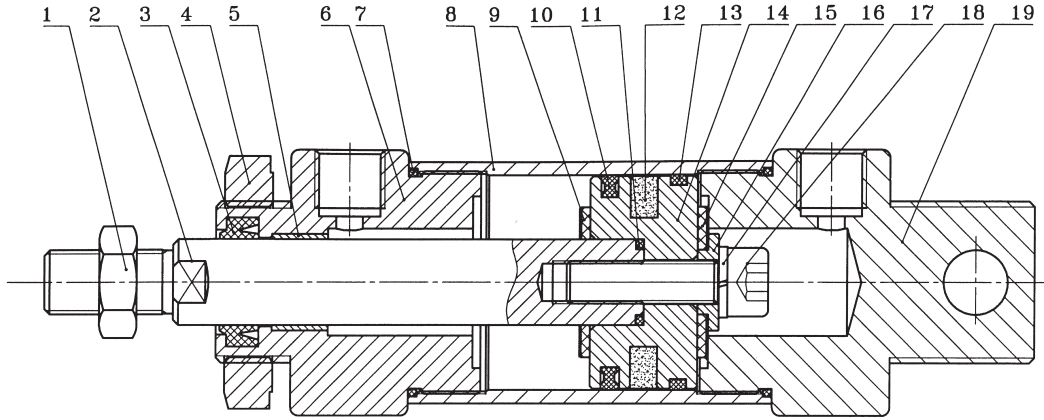
## 型号注释 /Note for type:

<b>MAL</b>	<b>20</b> × <b>100</b>	<b>CA</b>	<b>LB</b>	<b>S</b>	<b>2</b>
系列代码: Series code:	缸径 Bore:	行程: Stroke:	后盖型式: Rear cover:	固定型式: Mounting type:	磁石代号: With magnet:
MAL:标准型气缸 MAL: Stainless cylinder MALD:双轴型气缸 MALD: Double axial cylinder MALJ:双轴可调型气缸 MALJ: Double axial adjustable cylinder	φ 20 φ 25 φ 32 φ 40	空白:摆尾型 Blank:Fishtail U:平尾型 Horizontal tail CM:圆尾型 Rounded tail	LB FA/FB	S:附磁石 with magnet Blank(空白):不附磁 without magnet	感应器数量: Sensor: 1: 1个/pcs 2: 2个/pcs

## 技术参数 /Specification:

气缸内径/Cylinder bore	20	25	32	40
作动形式/Motion	复动型/Double acting			
系列/Series	MAL,MALD,MALJ			
工作介质/Fluid	压缩空气/Compressed Air			
使用压力范围/Operating pressure range(Mpa)	0.1~1			
使用速度/Operating speed(mm/sec)	50~500			
使用温度范围/ambient temperature(°C)	-10~70			
接管口径/Port size(G)	1/8"			1/4"

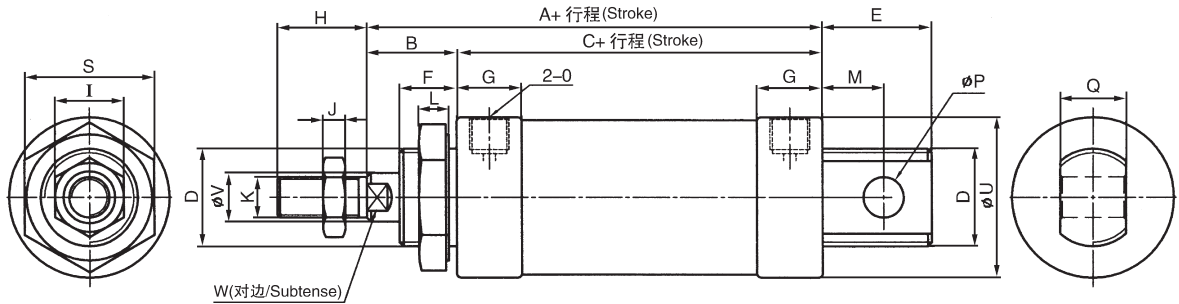
内部结构图 / Inner structure drawing:



1	六角螺母/hexagon nut	6	前盖/front cover	11	O型圈 / O ring	16	垫片/washer
2	活塞环/piston ring	7	O型圈/O-ring	12	磁环/magnet	17	弹簧垫圈/spring washer
3	组合密封圈/compages seal	8	缸筒/tube	13	耐磨环/guard seals	18	内六角螺钉/Inner hexagon bolt
4	六角螺母/hexagon nut	9	防撞垫片/crashworthy washer	14	活塞/piston	19	后盖/rear cover
5	含油轴承/oiled bearing	10	C型密封圈/C seal	15	防撞垫片/crashworthy washer		

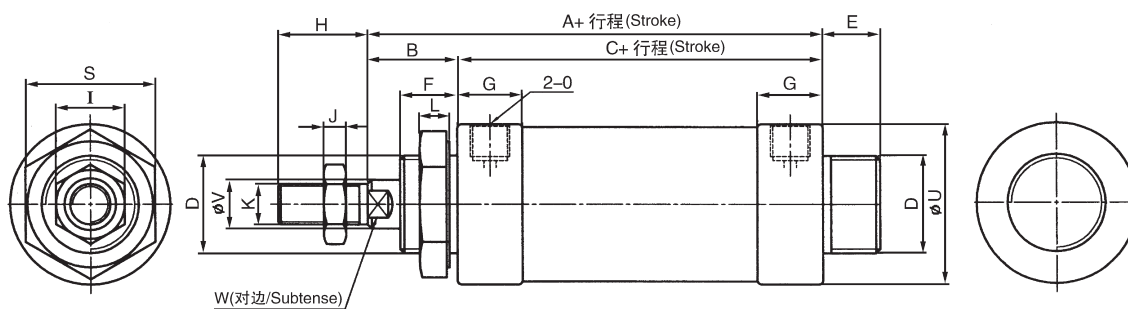
基本型尺寸 / Standard Dimension:

摆尾型 / Fishtail



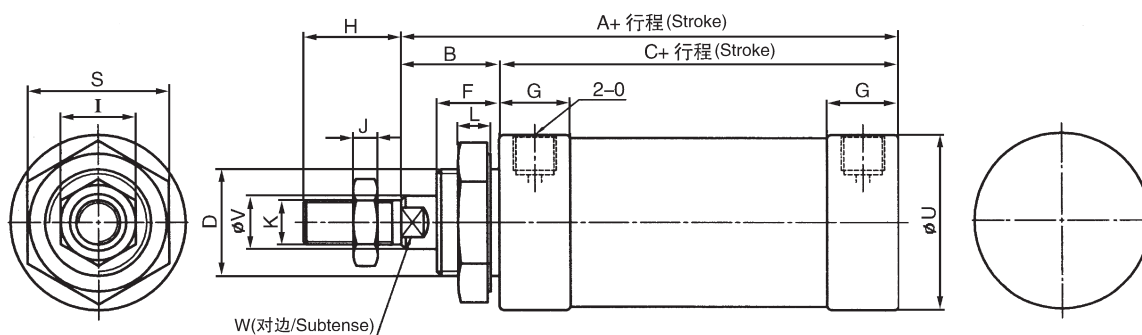
符号/Symbol 内径/Bore	A	B	C	D	E	F	G	H	I	J	K	L	M	O	P	Q	S	U	V	W
16	75.6	20	55.6	M16 × 1.5	14	12	11	17	10	5	M6	7	5	M5	6	12	24	22	6	-
20	90	20	70	M22 × 1.5	21	12	16	20	12	6	M8 × 1.25	12	3	G1/8"	8	16	29	29	8	6
25	92	22	70	M22 × 1.5	21	14	16	22	17	6	M10 × 1.25	12	8	G1/8"	8	16	34	34	10	8
32	92	22	70	M24 × 2	27	14	16	22	17	6	M10 × 1.25	15	14	G1/8"	10	16	39.5	39.5	12	10
40	114	22	92	M30 × 2	27	14	22	24	17	7	M12 × 1.25	15	16	G1/4"	12	20	49.5	49.5	16	14

## ■ 圆尾型 / Rounded



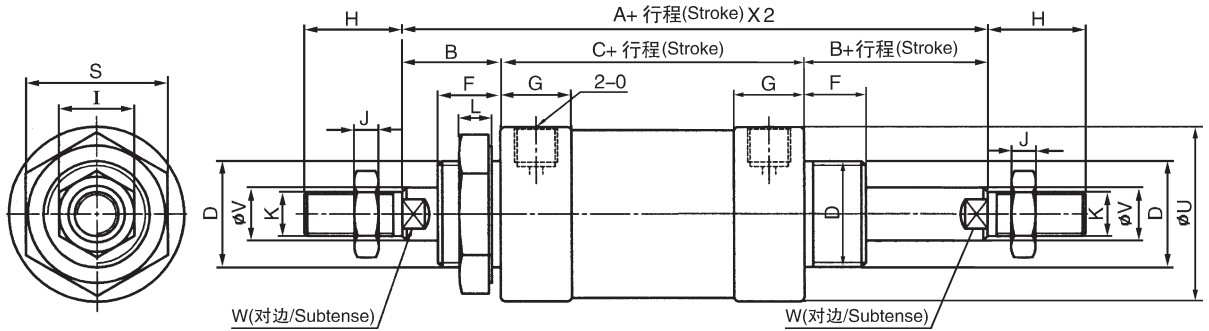
符号/Symbol 内径/Bore	A	B	C	D	E	F	G	H	I	J	K	L	O	S	U	V	W
16	75.6	20	55.6	M16 × 1.5	14	12	11	17	10	5	M6	7	M5	24	22	6	-
20	90	20	70	M22 × 1.5	21	12	16	20	12	6	M8 × 1.25	12	G1/8"	29	29	8	6
25	92	22	70	M22 × 1.5	21	14	16	22	17	6	M10 × 1.25	12	G1/8"	29	34	10	8
32	92	22	70	M24 × 2	27	14	16	22	17	6	M10 × 1.25	15	G1/8"	32	39.5	12	10
40	114	22	92	M30 × 2	27	14	22	24	17	7	M12 × 1.25	15	G1/4"	41	49.5	16	14

## ■ 平尾型 / Horizontal



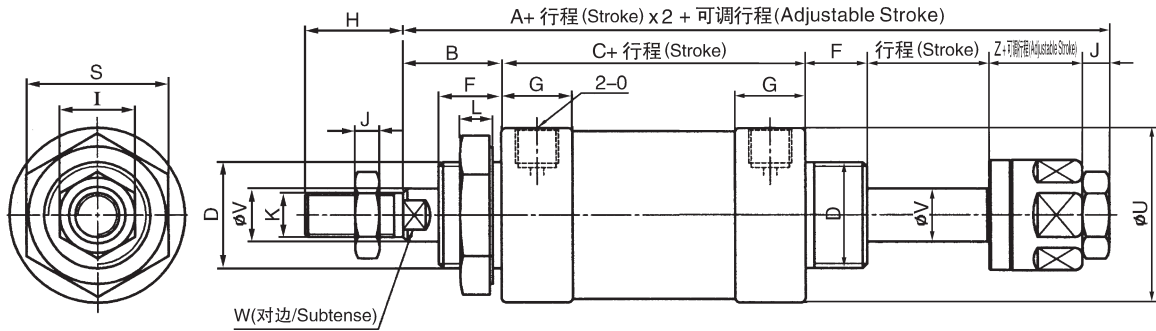
符号/Symbol 内径/Bore	A	B	C	D	F	G	H	I	J	K	L	O	S	U	V	W
16	75.6	20	55.6	M16 × 1.5	12	11	17	10	5	M6	7	M5	24	22	6	-
20	90	20	70	M22 × 1.5	12	16	20	12	6	M8 × 1.25	12	G1/8"	29	29	8	6
25	92	22	70	M22 × 1.5	14	16	22	17	6	M10 × 1.25	12	G1/8"	29	34	10	8
32	92	22	70	M24 × 2	14	16	22	17	6	M10 × 1.25	15	G1/8"	32	39.5	12	10
40	114	22	92	M30 × 2	14	22	24	17	7	M12 × 1.25	15	G1/4"	41	49.5	16	14

### 双轴基本型 /Double shaft(MALD)



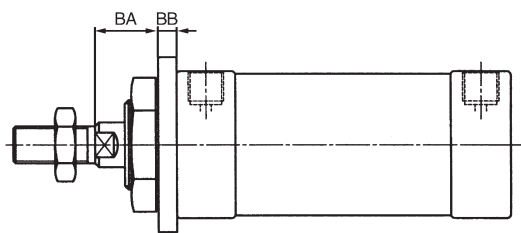
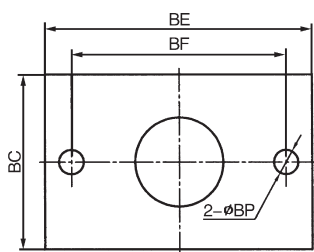
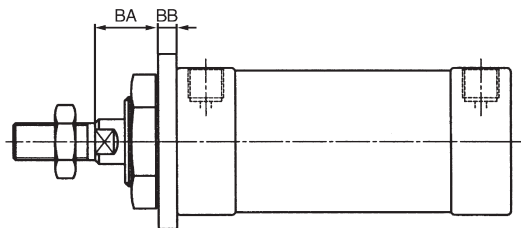
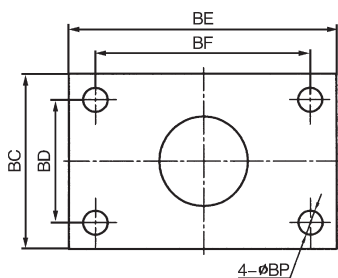
符号 /Symbol 内径 /Bore	A	B	C	D	F	G	H	I	J	K	L	O	S	U	V	W
16	95.6	20	55.6	M16 × 1.5	12	11	17	10	5	M6	7	M5	24	22	6	-
20	110	20	70	M22 × 1.5	12	16	20	12	6	M8 × 1.25	12	G1/8"	29	29	8	6
25	116	22	70	M22 × 1.5	14	16	22	17	6	M10 × 1.25	12	G1/8"	29	34	10	8
32	114	22	70	M24 × 2	14	16	22	17	6	M10 × 1.25	15	G1/8"	32	39.5	12	10
40	136	22	92	M30 × 2	14	22	24	17	7	M12 × 1.25	15	G1/4"	41	49.5	16	14

### 双轴可调型 /Double axial adjustable(MALJ)



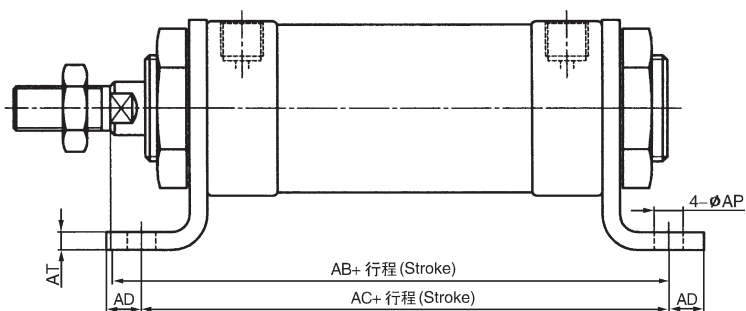
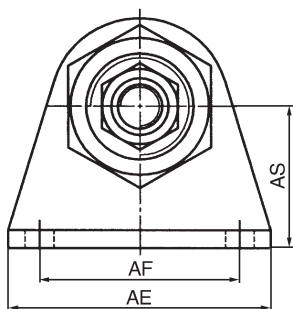
符号 /Symbol 内径 /Bore	A	B	C	D	F	G	H	I	J	K	L	O	S	U	V	W	Z
16	111.6	20	55.6	M16 × 1.5	12	11	17	10	5	M6	7	M5	24	22	6	-	19
20	127	20	70	M22 × 1.5	12	16	20	12	6	M8 × 1.25	12	G1/8"	29	29	8	6	19
25	133	22	70	M22 × 1.5	14	16	22	17	6	M10 × 1.25	12	G1/8"	29	34	10	8	21
32	133	22	70	M24 × 2	14	16	22	17	6	M10 × 1.25	15	G1/8"	32	39.5	12	10	21
40	156	22	92	M30 × 2	14	22	24	17	7	M12 × 1.25	15	G1/4"	41	49.5	16	14	21

## FA 型外型尺寸 / FA Dimension:

■  $\phi$  20~25■  $\phi$  32~40

符号 / Symbol 内径 / Bore	BA	BB	BC	BD	BE	BF	BP
20	16	4	38	-	64	50	6.5
25	18	4	38	-	64	50	6.5
32	18	4	47	33	72	58	6.5
40	18	4	50	36	84	119	6.5

## LB 型外型尺寸 / LB Dimension:



符号 / Symbol 内径 / Bore	AB	AC	AC	AE	AF	AP	AS	AT
20	105	100	8	54	40	6.5	25	3
25	107	100	8	54	40	6.5	25	3
32	117	120	8	59	45	6.5	32	4
40	139	142	8	64	50	6.5	36	4.5