

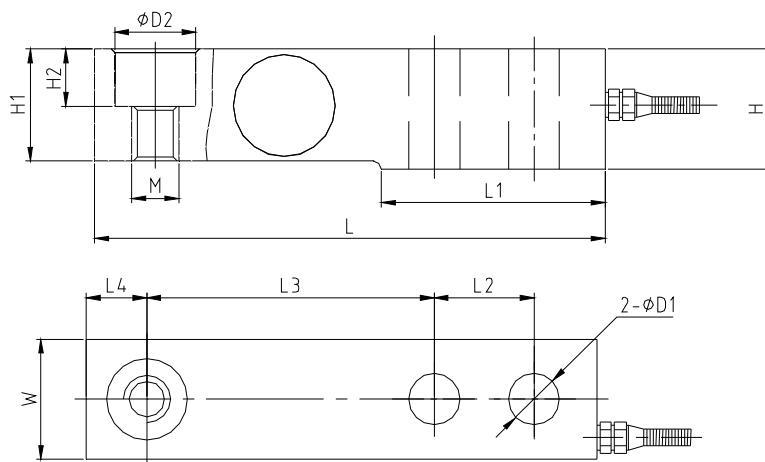
LP7110 剪切梁式称重传感器

LP7110 Shear Beam Load cell



额定载荷 Rated Capacity	0.25/0.5/1/2/2.5/3/5/7.5t	
精度等级 Accuracy Class	C3	
灵敏度 Rated Output	2.0±0.002mv/v	
非线性度 Non-linearity	±0.02% F.S	
蠕变 Creep (30min)	±0.016% F.S	
输入阻抗 Input Impedance	400±10Ω	
输出阻抗 Output Impedance	352±2Ω	
工作温度 Operation Temperature	-10~ +40°C	
安全过载 Safe overload	150%F.S	
极限过载 Destructive Load	200%F.S	
激励电压 Excitation Recommended	4~12VDC, Max:15vDC	
电缆结构 Cable	4 芯电缆 4-wire with screen	Exc+ (红 red) , Exc- (黑 black) Sig+ (绿 green) , Sig- (白 white)
结构材质 Construction	材质为合金钢或不锈钢 Alloy Steel or Stainless steel, IP67	
适用场合 Application for	平台秤, 叉车秤, 称重模块等; Floor scales, pallet scales, weighing module etc.	

安装尺寸 Outline Dimension(mm)



Dimension Capacity	L	L1	L2	L3	L4	H	H1	H2	W	D1	D2	M
0.25~2.5t	133.4	57.7	25.4	76.2	15.4	30.2	28.5	14.2	30.7	13	20.6	M12
3t,5t	171.5	76.2	38.1	95.3	19.1	42.9	40.4	20.1	42.9	20.5	30.2	M20